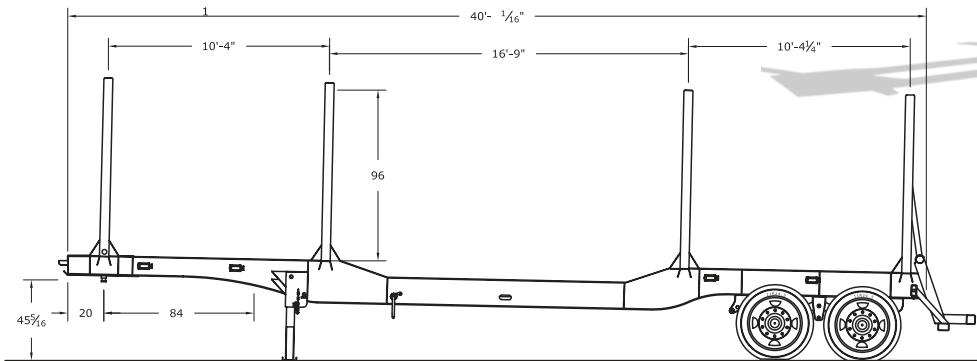


LT40-8L · Recessed Center Logging Trailer



Sourcewell
Awarded Contract
Contract # 092922- PTT



Since 1976, Pitts has built trailers for the construction, commercial and forestry markets tough enough for every job and priced to make you profitable.

Pitts Trailers is the world's largest and only complete line forestry manufacturer, moving the forestry transportation market forward with its log trailers, open and closed top chip vans, moving floor vans, and hydraulic elevating trailers with crawler suspension for knuckle boom loaders.

LT40-8L Standard Features



WEIGHT
9,300 lbs +/- 3%
MAINFRAMES
23" fabricated beam, T-1 steel
AXLES
25,000 lb capacity, 77 1/2" track
Anti Lock brake system
16 1/2" x 7" air brakes
Type 30/30 brake chambers
SUSPENSION
Hutch 9700 3 Point Heavy Duty 4 Leaf Steel Spring
WHEELS
10 hole Unimount
TIRES
11R24.5 radials
BOLSTERS
4" x 10" tubing, 70K yield
STANDARDS
5" x 5" tubing, 70K yield
LANDING GEAR
4 1/2" x 4 1/2" Tubing, 100K Yield - Patented Lock N' Go Landing Gear
BUMPER
4" x 6" tubing, 70K yield

AIR TANK
Covered w/ Channel Iron
WINCHES
With 30' Nylon Straps and Handles
PROTECTIVE COATING
High quality 2-part black acrylic urethane
High quality 2-part primer
White blasted and cleaned prior to painting

OPTIONS

Greaseless Revolver Coupling System
 Aluminum Wheels
 Grapple Bar
 Vulcan or SI Electronic Scales (Air Scale Option Also Available)
 Single Point Spring Suspension (w/ Lift Axle Option)

Air Ride Suspension (w/ Lift Axle Option)
 Heavy Duty Headboard
 Slideable Bolsters
 Disc Brakes
 11R22.5 Radial Tires
 Custom Designs Available

Note: All specifications are subject to change without prior notification. All dimensions and weights are approximate. Trailers pictured in this brochure may feature optional equipment. Axle placement and legal load ratings are dependent upon federal, state, and local regulations, GAWR and tire ratings. Copyright © 2019 Pitts Enterprises, Inc. (published). All rights reserved.