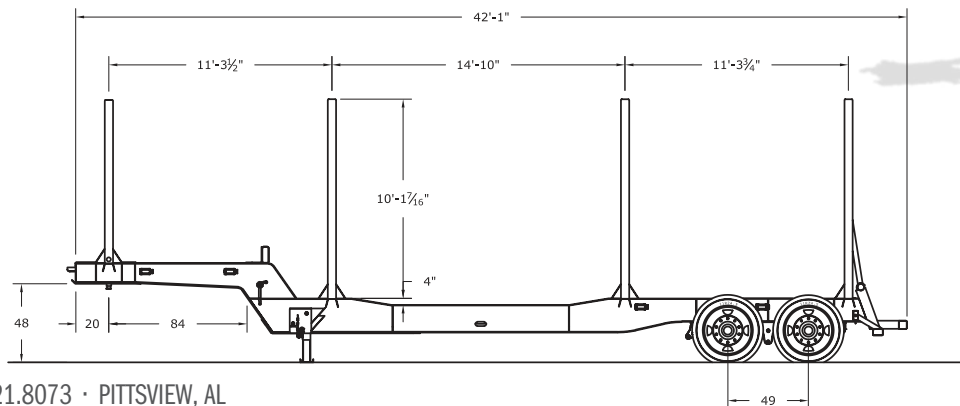


# LP40-4L · Low Profile Logging Trailer



Sourcewell  
Awarded Contract  
Contract # 092922- PTT



Since 1976, Pitts has built trailers for the construction, commercial and forestry markets tough enough for every job and priced to make you profitable.

Pitts Trailers is the world's largest and only complete line forestry manufacturer, moving the forestry transportation market forward with its log trailers, open and closed top chip vans, moving floor vans, and hydraulic elevating trailers with crawler suspension for knuckle boom loaders.

# LP-40 4L Standard Features



WEIGHT
10,500 lbs +/- 3%
MAINFRAMES
20" Fabricated Beam, T-1 Steel – Low Profile Design w/ 4" Drop in Center
AXLES
(2) 25,000 lb Capacity, 77 1/2" Track
Anti Lock Brake System
16.5" x 7" Air Brakes
Type 30/30 Brake Chambers
SUSPENSION
Hutch 9700 3 Point Heavy Duty 4 Leaf Steel Spring
WHEELS
10 Hole Unimount
TIRES
11R24.5 Radials
BOLSTERS
4" x 10" Tubing, 70K Yield
STANDARDS
5" x 5" Tubing, 70K Yield
LANDING GEAR
4.5" x 4.5" Tubing, 100K Yield - Patented Lock N' Go Landing Gear
BUMPER
4" x 6" Tubing, 70K Yield

AIR TANK
Covered w/ Channel Iron
WINCHES
With 30' Nylon Straps and Handles
PROTECTIVE COATING
High quality 2-part black acrylic urethane
High quality 2-part primer
White blasted and cleaned prior to painting

## OPTIONS

Greaseless Revolver Coupling System  
 Aluminum Wheels  
 Grapple Bar  
 Vulcan or SI Electronic Scales (Air Scale Option Also Available)  
 Single Point Spring Suspension (w/ Lift Axle Option)

Air Ride Suspension (w/ Lift Axle Option)  
 Heavy Duty Headboard  
 Slidable Bolsters  
 Disc Brakes  
 11R22.5 Radial Tires  
 Custom Designs Available

*Note: All specifications are subject to change without prior notification. All dimensions and weights are approximate. Trailers pictured in this brochure may feature optional equipment. Axle placement and legal load ratings are dependent upon federal, state, and local regulations, GAWR and tire ratings. Copyright © 2019 Pitts Enterprises, Inc. (published). All rights reserved.*