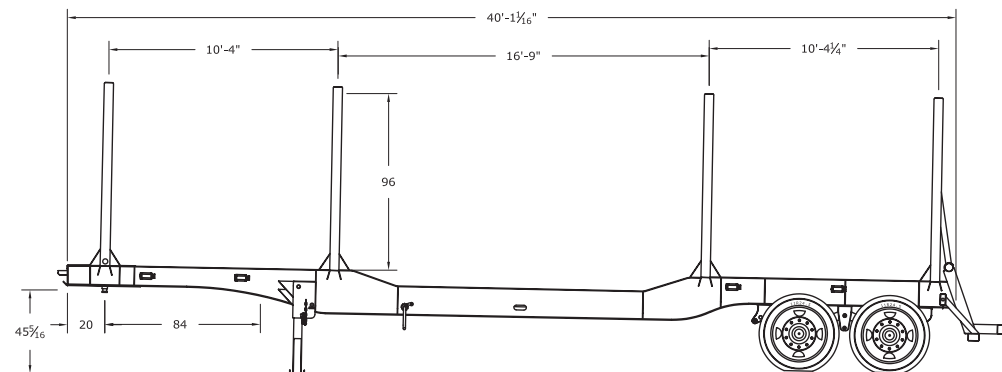


LT40-8UL · Recessed Center Logging Trailer

PITTS Trailers®
Since 1976



Since 1976, Pitts has built trailers for the construction, commercial and forestry markets tough enough for every job and priced to make you profitable.

Pitts Trailers is the world's largest and only complete line forestry manufacturer, moving the forestry transportation market forward with its log trailers, open and closed top chip vans, moving floor vans, and hydraulic elevating trailers with crawler suspension for knuckle boom loaders.

LT40-8UL Standard Features



| |
|---|
| WEIGHT |
| 8,650 lbs +/- 3% |
| MAINFRAMES |
| 23" Fabricated Beam, T-1 Steel - 8" Center Drop Design |
| AXLES |
| (2) 25,000 lb Capacity, 77 1/2" Track |
| Anti Lock Brake System |
| 16.5" x 7" Air Brakes |
| Type 30/30 Brake Chambers |
| SUSPENSION |
| Hutch 9700 3 Point Heavy Duty 4 Leaf Steel Spring |
| WHEELS |
| 10 Hole Unimount |
| TIRES |
| 11R24.5 Radials |
| BOLSTERS |
| 4" x 10" Tubing, 70K Yield |
| STANDARDS |
| 4.5" x 4.5" Tubing, 100K Yield |
| LANDING GEAR |
| 4.5" x 4.5" Tubing, 100K Yield - Patented Lock N' Go Landing Gear |
| BUMPER |
| 4" x 6" Tubing, 70K Yield |

| |
|---|
| AIR TANK |
| Covered w/ Channel Iron |
| WINCHES |
| With 30' Nylon Straps and Handles |
| PROTECTIVE COATING |
| High quality 2-part black acrylic urethane |
| High quality 2-part primer |
| White blasted and cleaned prior to painting |

OPTIONS

Greaseless Revolver Coupling System
Aluminum Wheels
Grapple Bar
Vulcan or SI Electronic Scales (Air Scale Option Also Available)
Single Point Spring Suspension (w/ Lift Axle Option)

Air Ride Suspension (w/ Lift Axle Option)
Heavy Duty Headboard
Slidable Bolsters
Disc Brakes
11R22.5 Radial Tires
Custom Designs Available