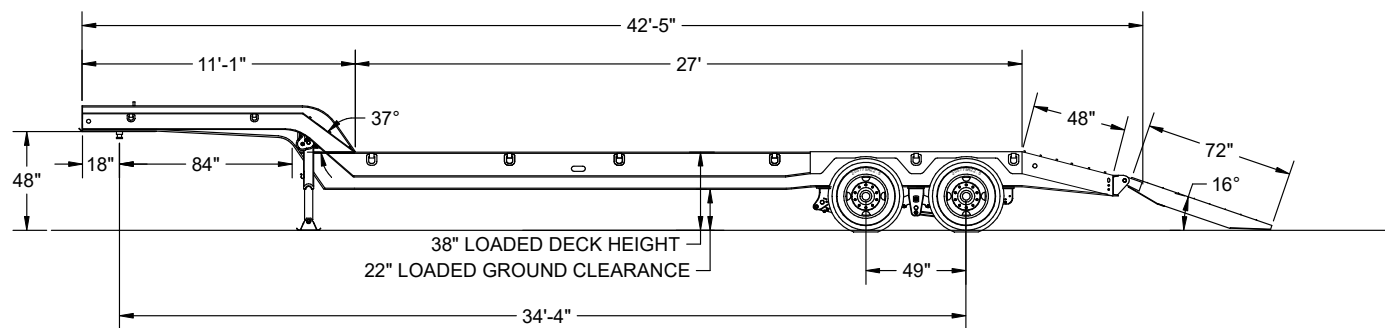


LB35-38 · Fixed Neck Lowboy



Since 1976, Pitts has built trailers for the construction, commercial and forestry markets tough enough for every job and priced to make you profitable.

The workhorses of the heavy haul division, include a Hydraulic Detachable, Hydraulic Tail, Fixed Neck and Tag-Along with every feature you desire.

LB35-38 Standard Features



CAPACITY
35 tons in 16' (GAWR and tire ratings determine legal payloads)
ESTIMATED TARE WEIGHT (STANDARD PACKAGE)
13,400 lbs ± 3%
LOAD BASE
16' rigid point load centered in deck
DIMENSIONS
Overall: 8' 6" width x 43' length
Clear deck length: 27', (flat deck design)
Deck height under full load: 38" (ground clearance 20")
48" nominal loaded 5th wheel height
GOOSENECK DESIGN
Fixed neck to deck connection
Exposed main beams and recessed motor grader ramps
84" swing radius
Landing gear - two speed - 50,000 lbs.
Toolbox in front of neck
DECK DESIGN
Main longitudinal members 18" fabricated with positive camber with 12" side rails
level deck design
8" I-beam crossmembers
1 1/2" nominal apitong decking
BOGIE DESIGN
Wheel wells covered with formed steel smooth and traction bars
4' dovetail covered with steel check plate and traction bars
6'x2' heavy duty spring assisted, self cleaning, rear loading ramps
AXLES
(2) Heavy duty axles with 49" spread
25,000 lbs nominal capacity per axle (GAWR determined by suspension type, brakes, tires and other components)
Tapered spindle axles

BRAKES
16 1/2" x 7"
Heavy-duty brake drums, outboard mount
Automatic slack adjusters
Type 30/30 parking brakes on (2) axles
HUBS
Hub-piloted 8-stud mount
Outboard cast drums
WHEELS/TIRES
(8) Steel disc wheels 8.25 x 22.5 with 255/ 75R 22.5 H-ply tires
SUSPENSION
3 point, heavy duty spring
ELECTRICAL SYSTEM
Fully sealed wiring harness with LED lights
Marker lights and mid-turn signals
(3) Oval stop, tail and turn lights per side on rear
PROTECTIVE COATING
High quality 2-part PPG black acrylic urethane
High quality 2-part primer
White blasted and cleaned prior to painting
LASH RINGS
(8) Pair (16 total), bent D-rings
FLAG HOLDERS
(2) Pair (4 total)

OPTIONS
<ul style="list-style-type: none">• 8' x 3' Hydraulic Ramps (Trailer shown with optional 8'x3' hydraulic ramps)• Outriggers (Extends width 2')

Note: All specifications are subject to change without prior notification. All dimensions and weights are approximate. Trailers pictured in this brochure may feature optional equipment. Axle placement and legal load ratings are dependent upon federal, state, and local regulations, GAWR and tire ratings. Copyright © 2019 Pitts Enterprises, Inc. (published). All rights reserved.