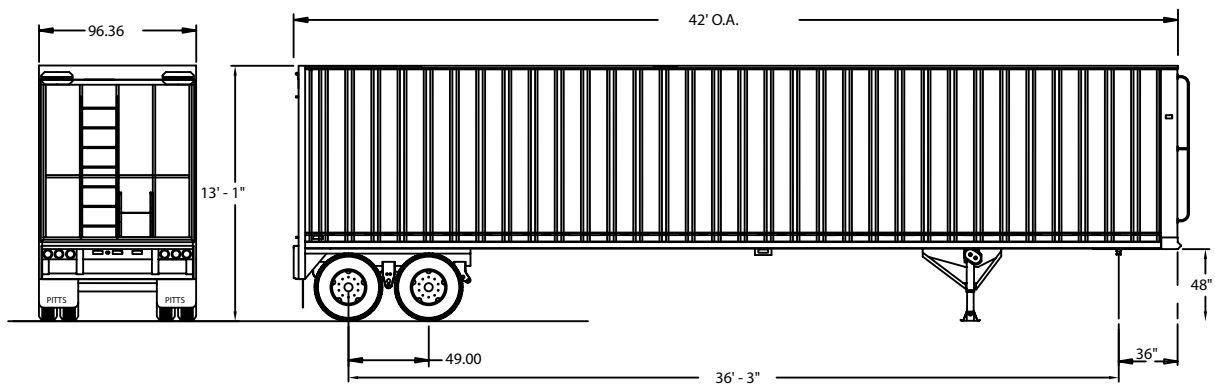


CV-OT • Chip Van Open Top



Since 1976, Pitts has built trailers for the construction, commercial and forestry markets tough enough for every job and priced to make you profitable.

Pitts Trailers is the world's largest and only complete line forestry manufacturer, moving the forestry transportation market forward with its log trailers, open and closed top chip vans, moving floor vans, and hydraulic elevating trailers with crawler suspension for knuckle boom loaders.

CV-OT Standard Features



CONSTRUCTION
High strength aluminum walls with heavy duty aluminum lower and upper rails
CAPACITY
99 cubic yards
ESTIMATED TARE WEIGHT (STANDARD PACKAGE)
19,650 lbs ± 3%
DIMENSIONS
42' length, 102" wide, 13' tall
UPPER COUPLER
Full width high yield steel
FLOORS
Sills: 4" high strength wax coated I-beams
Type: High strength corrugated aluminum
RAILS
Bottom Rail: Heavy duty extruded aluminum
Top Rail: Heavy duty extruded aluminum
SIDES
Sheet Material: High strength white aluminum
Posts: Extruded Aluminum on 16" Centers
REAR GATES
Heavy duty construction all aluminum
LADDER
Steel front - aluminum rear
TOP
Open Top Tarp System: Cable pull mesh tarp
AXLES
(2) 22.5K lbs. 77.5" track hub piloted 30/30 chambers

LANDING GEAR
Jost - heavy duty 2-speed gear drive, 140,000 lb static
HUBS
Standard cast, hub piloted, 10-stud unimount, oil lubricated
BRAKES
ABS Brakes: Bendix, 2S1M
Brakes: 16 1/2" x 7" quick change
Brake Drums: Standard cast, outboard mount
WHEELS/TIRES
Hub Piloted Steel with 11R24.5 radials
SUSPENSION
Hutch 9700 - spring ride
BUMPER
Heavy duty push bumper
PROTECTIVE COATING
High quality 2-part PPG black acrylic urethane
High quality 2-part primer
White blasted and cleaned prior to painting
LIGHTS
Sealed wiring harness with LED package

OPTIONS

- | | |
|-------------------------------------|--------------------------------------|
| 40' - 53' Lengths | On-Board Scales |
| 96" Wide | Winch Back Landing Gear |
| Multiple Wall Heights | Multiple Gate Options |
| Air Ride or Single Point Suspension | Custom Interior Wall and Nose Lining |
| Lift Axles | Moving Floors |
| Multiple Axle Configurations | Aluminum Floor Sills |
| Tire Inflation System | |

Note: All specifications are subject to change without prior notification. All dimensions and weights are approximate. Trailers pictured in this brochure may feature optional equipment. Axle placement and legal load ratings are dependent upon federal, state, and local regulations, GAWR and tire ratings. Copyright © 2019 Pitts Enterprises, Inc. (published). All rights reserved.