



“You’re Ahead with a Pitts Behind”™

Chip Van Open & Closed Top

BODY STRUCTURE

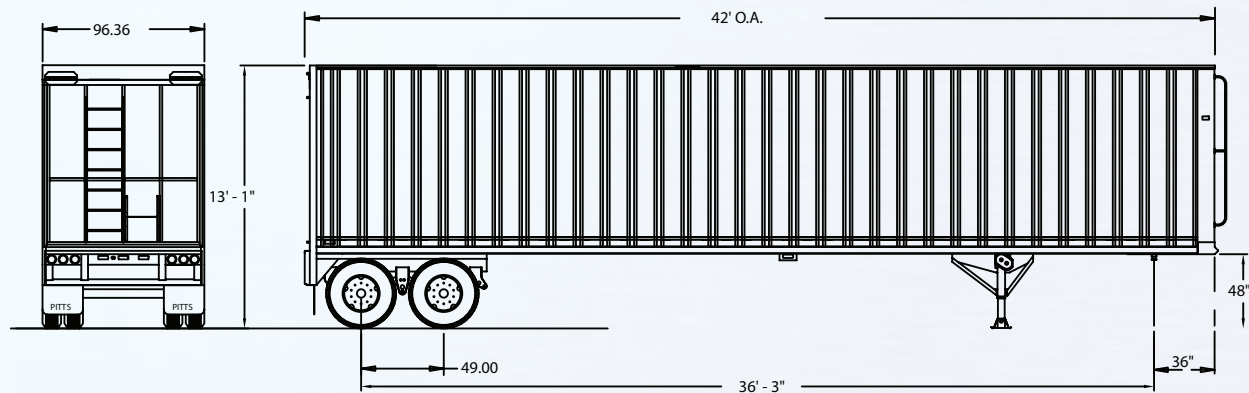
- ▶ **Construction:** High Strength Aluminum Walls with Heavy Duty Aluminum Lower and Upper Rails
- ▶ **Capacity:** 99 Cubic Yards
- ▶ **Dimensions:** Standard: 42' Length, 102" Wide, 13' Tall
- ▶ **Upper Coupler:** Full Width High Yield Steel
- ▶ **Floor Sills:** 4" High Strength Wax Coated I-Beams
- ▶ **Floor Type:** High Strength Corrugated Aluminum
- ▶ **Bottom Rail:** Heavy Duty Extruded Aluminum
- ▶ **Top Rail:** Heavy Duty Extruded Aluminum
- ▶ **Side Sheet Material:** High Strength White Aluminum
- ▶ **Side Posts:** Extruded Aluminum on 16" Centers
- ▶ **Rear Gate:** Heavy Duty Construction all Aluminum
- ▶ **Ladder:** Steel Front - Aluminum Rear
- ▶ **Open Top Tarp System:** Cable Pull Mesh Tarp
- ▶ **Closed Top:** High Strength Aluminum Sheet, Aluminum Roof Bows, with Reinforced 60" Galvanized Chip Shield
- ▶ **Bumper:** Heavy Duty Push Bumper
- ▶ **Lights:** Sealed Wiring Harness with LED Package
- ▶ **Paint:** White Blasted, Two Part Primer, Two Part PPG Black Acrylic Urethane

COMPONENTS

- ▶ **Landing Gear:** Jost - Heavy Duty 2-Speed Gear Drive, 140,000 lb Static
- ▶ **Suspension:** Hutch 9700 - Spring Ride
- ▶ **Axles:** (2) 22.5K lbs. 77.5" Track Hub Piloted 30/30 Chambers
- ▶ **ABS Brakes:** Bendix, 2S1M
- ▶ **Brakes:** 16 1/2" x 7" Quick Change
- ▶ **Hubs:** Standard Cast, Hub Piloted, 10-Stud Unimount, Oil Lubricated
- ▶ **Brake Drums:** Standard Cast, Outboard Mount
- ▶ **Wheels:** Hub Piloted Steel
- ▶ **Tires:** 11R24.5 Radials

OPTIONS

- ▶ 40' - 53' Lengths
- ▶ 96" Wide
- ▶ Multiple Wall Heights
- ▶ Air Ride or Single Point Suspension
- ▶ Lift Axles
- ▶ Multiple Axle Configurations
- ▶ Tire Inflation System
- ▶ On-Board Scales
- ▶ Winch Back Landing Gear
- ▶ Multiple Gate Options
- ▶ Custom Interior Wall and Nose Lining
- ▶ Moving Floors
- ▶ Aluminum Floor Sills



Moving Floor Open & Closed Top

BODY STRUCTURE

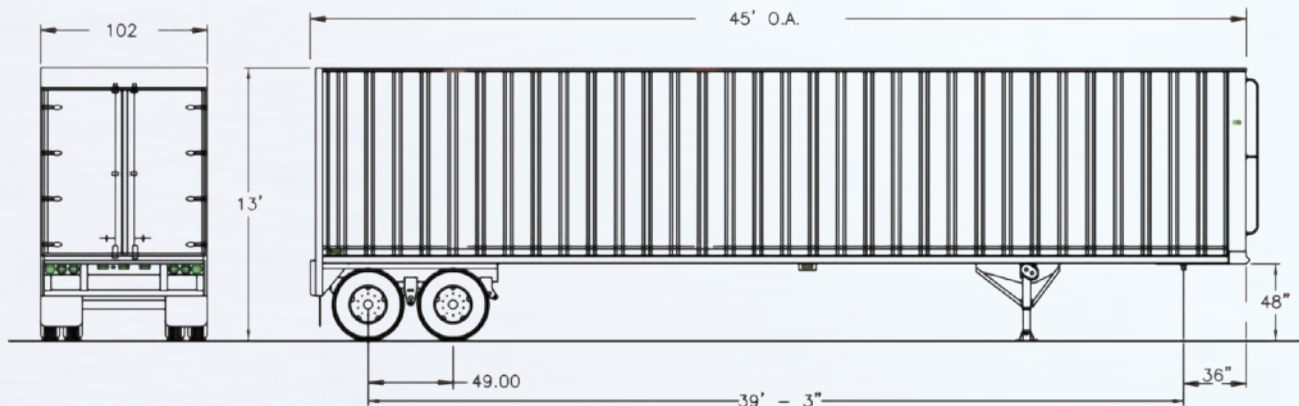
- ▶ **Construction:** High Strength Aluminum Walls with Heavy Duty Aluminum Lower and Upper Rails
- ▶ **Capacity:** 105 Cubic Yards
- ▶ **Dimensions:** Standard: 42' Length, 102" Wide, 13' Tall
- ▶ **Upper Coupler:** Full Width High Yield Steel
- ▶ **Floor Sills:** 4" High Strength Wax Coated I-Beams
- ▶ **Floor Type:** Hallco Live Floor, 3/16" Standard Deck 4000 I Series
- ▶ **Bottom Rail:** Heavy Duty Extruded Aluminum
- ▶ **Top Rail:** Heavy Duty Extruded Aluminum
- ▶ **Side Sheet Material:** High Strength White Aluminum
- ▶ **Side Posts:** Extruded Aluminum on 16" Centers
- ▶ **Rear Gate:** Heavy Duty Dry Freight Swing Door
- ▶ **Ladder:** Steel Front
- ▶ **Open Top Tarp System:** Side to Side Lock and Roll
- ▶ **Closed Top:** High Strength Aluminum Sheet, Aluminum Roof Bows, with Reinforced 60" Galvanized Chip Shield
- ▶ **Bumper:** Heavy Duty Push Bumper
- ▶ **Lights:** Sealed Wiring Harness with LED Package
- ▶ **Paint:** White Blasted, Two Part Primer, Two Part PPG Black Acrylic Urethane

COMPONENTS

- ▶ **Landing Gear:** Jost - Heavy Duty 2-Speed Gear Drive, 140,000 lb Static
- ▶ **Suspension:** Hutch 9700 - Spring Ride
- ▶ **Axles:** (2) 22.5K lbs. 77.5" Track Hub Piloted 30/30 Chambers
- ▶ **ABS Brakes:** Bendix, 2S1M
- ▶ **Brakes:** 16 1/2" x 7" Quick Change
- ▶ **Hubs:** Standard Cast, Hub Piloted, 10-Stud Unimount, Oil Lubricated
- ▶ **Brake Drums:** Standard Cast, Outboard Mount
- ▶ **Wheels:** Hub Piloted Steel
- ▶ **Tires:** 11R24.5 Radials

OPTIONS

- ▶ 40' – 53' Lengths
- ▶ 96" Wide
- ▶ Keith Walking Floors
- ▶ Air Ride Suspension
- ▶ Lift Axles
- ▶ Multiple Axle Configurations
- ▶ Tire Inflation System
- ▶ On-Board Scales
- ▶ Winch Back Landing Gear
- ▶ Arched Rear Header and Bows
- ▶ Aluminum Floor Sills
- ▶ Interior Lining



Note: All specifications are subject to change without prior notification. All dimensions and weights are approximate. Trailers pictured in this brochure may feature optional equipment. Axle placement and legal load ratings are dependent upon federal, state, and local regulations, GAWR and tire ratings. Copyright © 2016 Pitts Enterprises, Inc. (published). Pate. All rights reserved.

Moving Floor



“You’re Ahead with a Pitts Behind”™